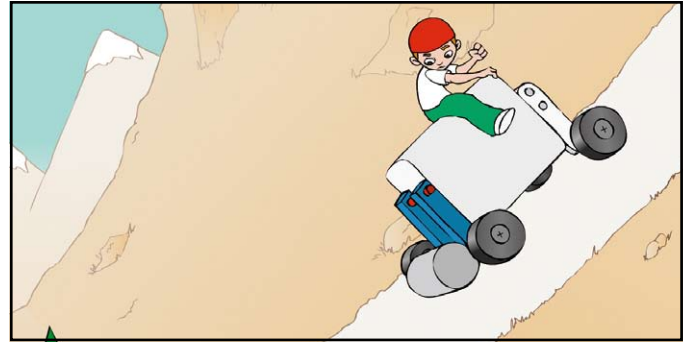


Power Car

Name(s): _____

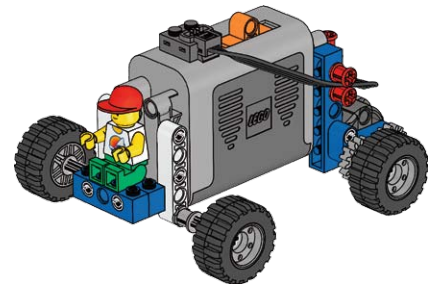
**How can you make a Power Car that climbs hills?
 Let's find out!**



Build the Power Car

(all of book 11A and book 11B to page 9, step 10)

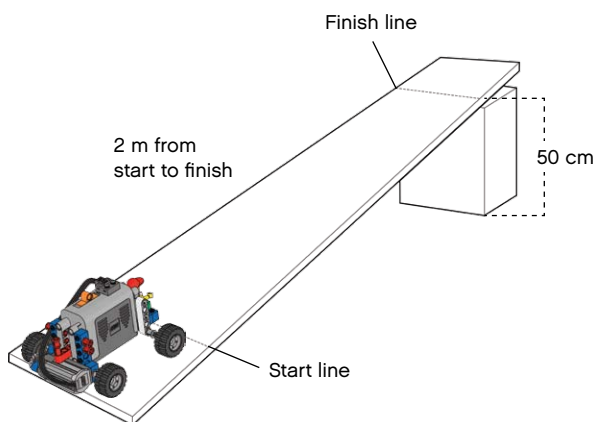
- Turn on the motor by pushing the battery box switch forward
- Make sure all the wheels turn freely and do not rub on the sides of the Power Car

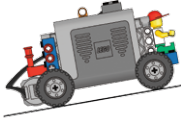
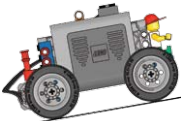
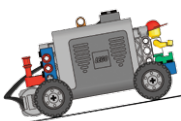



Which is the fastest uphill Power Car?

The Power Car needs to be as fast as possible when driving uphill.

- First predict how fast Power Car A will travel 2 metres uphill. Then test your prediction. Next, follow the same procedure for Power Cars B, C and D.
- Test several times to make sure your results are consistent.



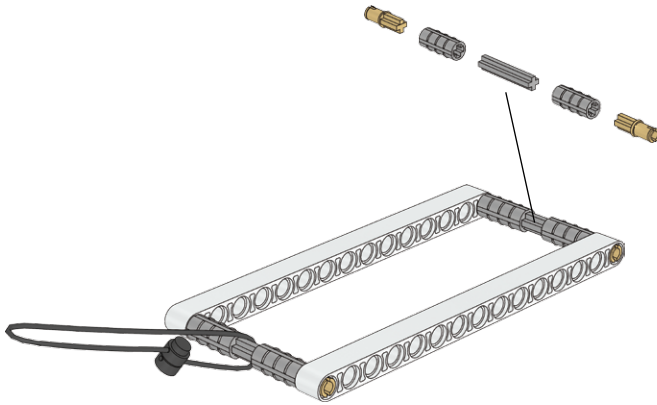
	My prediction	What happened?
A 		
B 		
C 		
D 		

How strong is your Power Car?

Build a sledge and attach it to your Power Car using a string around the hook at the rear.

Load the sledge with books.

- First predict how heavy a load Power Cars A and C can pull. Then test which Power Car can pull the heaviest load.
- How heavy a load can your best Power Car pull?



	My prediction	My measurements

My Power Car

Draw and label your favourite Power Car design. Explain how the 3 best bits work.